

<b>SPEC NO.</b>	<b>: SP03AF24508-0020</b>
<b>PART NO.</b>	<b>: 03C15E1A00K9110</b>
<b>PRODUCT NAME</b>	<b>: PPA 2450A</b>
<b>DESCRIPTION</b>	<b>: Dielectric PIFA Antenna (17*3.6*3.2mm) ROHS Compliant Product</b>

### 1.0 SCOPE

This specification covers the dielectric PIFA antenna for **2400-2500** MHz .

### 2.0 Name of the product

This product is named “Dielectric PIFA Antenna” .

### 3.0 Electrical characteristics

#### 3.1 Electrical characteristics of antenna

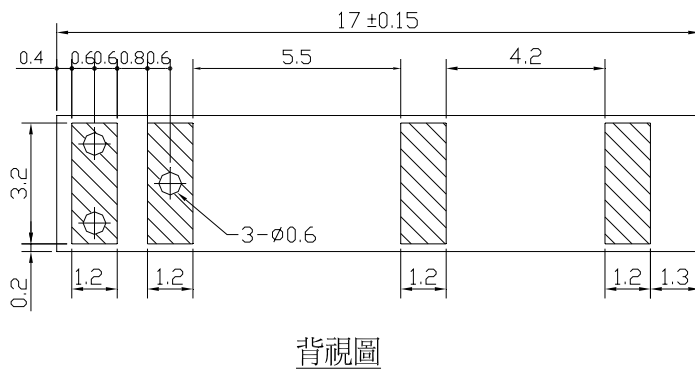
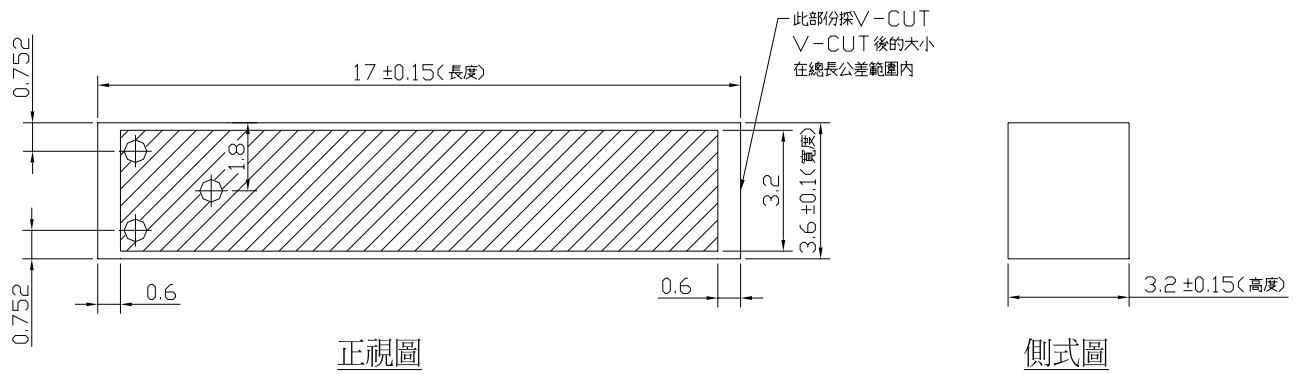
The antenna has the electrical characteristics given in Table 1 under the *cirocomm* standard installation conditions shown in the figure of Evaluation Board.

Table 1

No	Parameter	Specification
1	Frequency	2.4-2.5 GHz
2	Polarization	Linear
3	Operating temperature	-40 to +105 °C
4	Impedance	50 Ω

\* Actual value will depend on customer ground plane size

## 4.0 Shape and Dimension



正面文字

斜線部份為黑色隔錫漆,文字部份為白色