

SPEC NO. : **SP013J35004-020**

PART NO. : **01135001J31B110**

PRODUCT NAME : **MF 3500B**

DESCRIPTION : **J Type filter**
ROHS Compliant Product

ELECTRICAL CHARACTERISTICS

This filter satisfies Table 1 at Temperature Range : -40 to +85°C

CENTER FREQUENCY :fo=3500 MHz

PASSBAND WIDTH :fo ±100 MHz

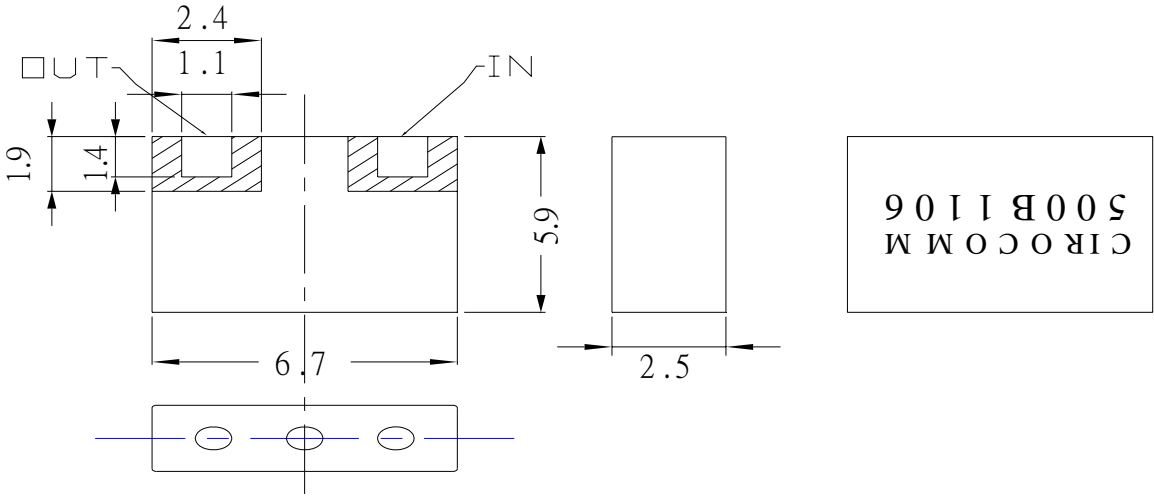
INPUT/OUTPUT IMPEDANCE :50Ω

Max. INPUT POWER : 1 W

TABLE 1

NO.	ITEM	SPECIFICATION		
		min	typ	max
1	PASS BAND INSERTION LOSS		1.0dB	1.5dB
2	PASS BAND RIPPLE		0.55dB	0.7dB
3	PASS BAND RETURN LOSS	12dB	13.5dB	
4	STOP—BAND ATTENUATION	at 2900 MHz	40dB	45dB
		at 3275 MHz	37dB	41dB
Item NO.4 specifies the absolute value of attenuation.				

SHAPE AND DIMENSION



Dimensions in mm
Tolerance: ±0.2

C I R O C O M M : company name
5 0 0 B : product name (3500B)
1 1 : month
0 6 : year (2006)